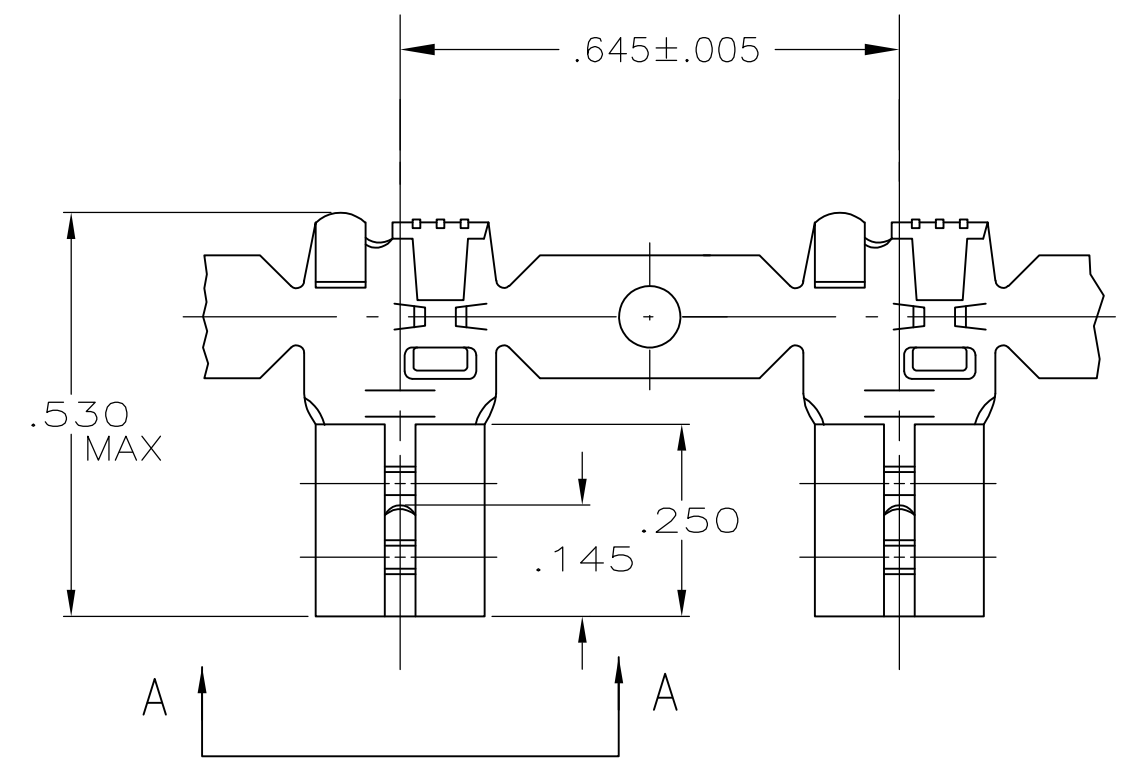
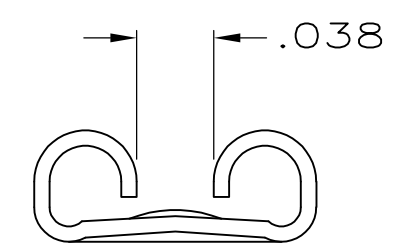


THIS DRAWING IS UNPUBLISHED. RELEASED FOR PUBLICATION
 © COPYRIGHT - By - ALL RIGHTS RESERVED.

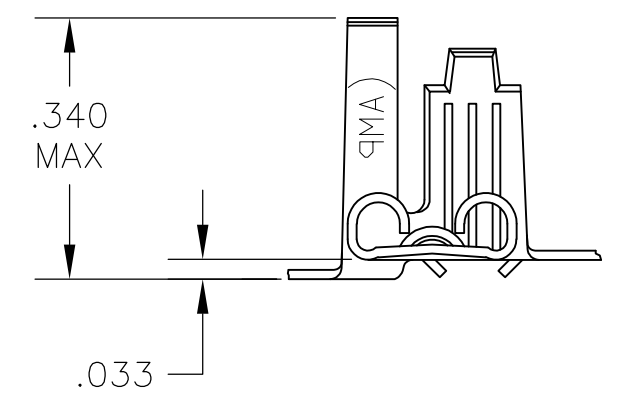
LOC	DIST	REVISIONS			
P	LTR	DESCRIPTION	DATE	DWN	APVD
AF	50	P			
		P	REVISED PER ECR-12-013445	18OCT12	KH PD



- 1 CONTINUOUS STRIP ON REELS.
- 2 WIRE SIZE IS #20-#16 AWG
- 3 INSULATION RANGE IS .110-.170 DIA
- 4 MATING TAB THK IS $.020 \pm .001$



VIEW A-A



SILVER	BRASS	42486-4
NICKEL	.012 STEEL	42486-3
TIN	BRASS	42486-2
---	BRASS	42486-1
FINISH	MATERIAL	PART NO.

THIS DRAWING IS A CONTROLLED DOCUMENT.		DWN	JR RUTH	2/7/86	TE Connectivity					
DIMENSIONS: INCHES		CHK	G YETTER	2/7/86				NAME RECEPTACLE, FASTON, FLAG, .187 SERIES		
TOLERANCES UNLESS OTHERWISE SPECIFIED:		APVD	R KUZO	2/7/86	SIZE A3					
0 PLC ± - 1 PLC ± - 2 PLC ± - 3 PLC ± .015 4 PLC ± - ANGLES ± -		PRODUCT SPEC	-					CAGE CODE	00779	DRAWING NO
MATERIAL SEE TABLE		FINISH	SEE TABLE		WEIGHT	-		CUSTOMER DRAWING		
				SCALE	4:1	SHEET	1 OF 1	REV	P	